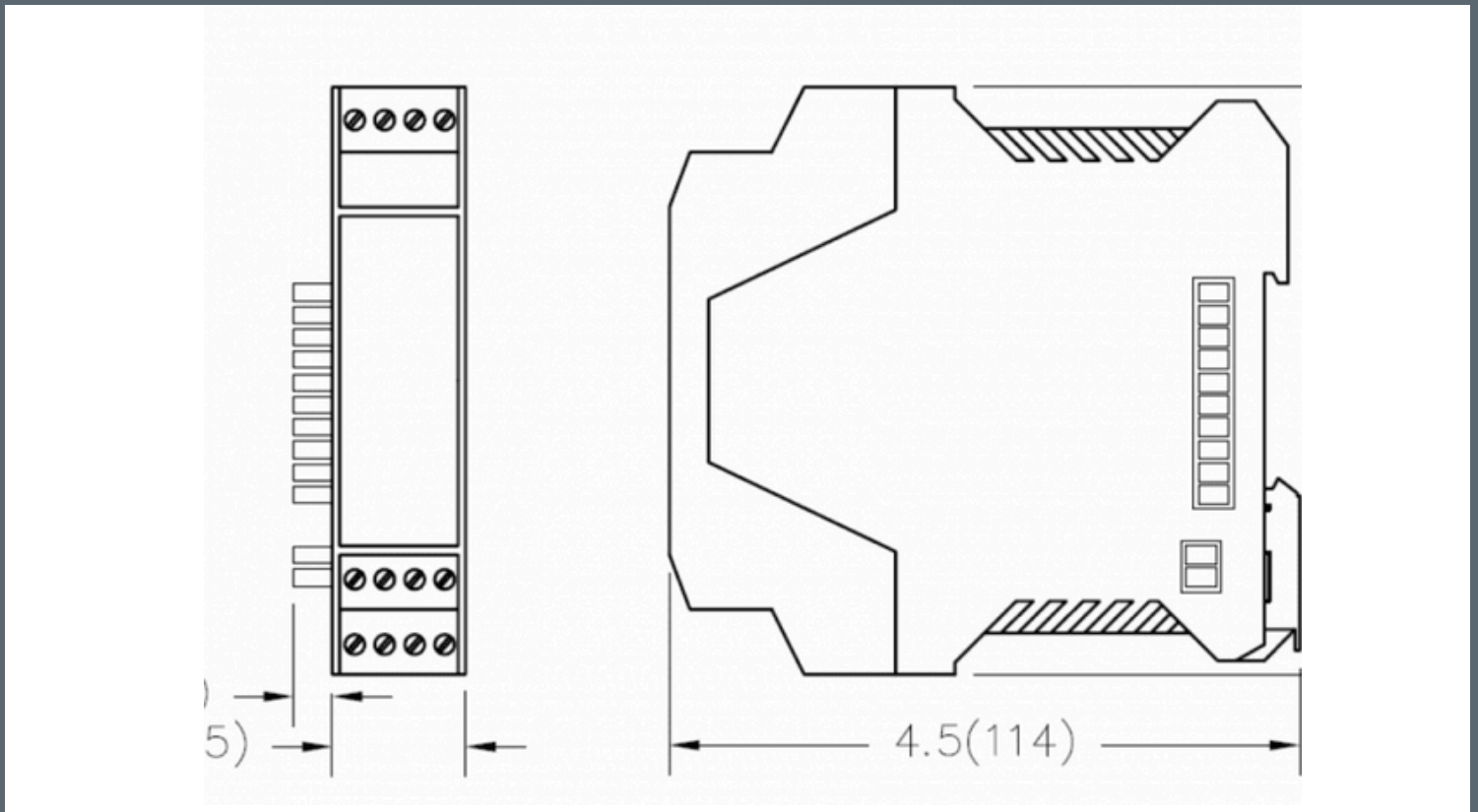


FOR-CC-1300-MM/SM fiber optic receiver



Feature	Description
Module type	Receiver
Optical mode	Multi-mode or single-mode
Optical wavelength	1300nm

Technical specification

Feature	Description
Input/output	Form-C relay output
Optical connector type	ST
Power	24Vdc at 50mA
Optical dynamic range	30dB into 200/230µm fiber, 18dB into 62.5/125µm fiber
Relay contact rating (FOR-CC)	Maximum switching voltage 100Vdc, 250VAC, 5A at 30Vdc, 10A at 125VAC, 6A at 277VAC (resistive load)
Connections	Cage-clamp screw terminals, 12-24 AWG (0.5-2.4mm)
Indicators	Green LED, power, closed contacts
Input (FOT-CC)	Dry contacts, 10 ohms maximum contact resistance
Ambient conditions	-40 to 85°C operational, 0-95% relative humidity, non-condensing
Weight	<5oz (140g)
Power supply	PSM-CC

About Ultra Energy

Organizations working with nuclear and industrial technologies must deliver reliable production at the same time as safeguarding people, the environment and infrastructure. We develop and manufacture measurement and control solutions that give our customers complete, long-term control over systems operating in harsh environments, helping them operate safely and increasing the value derived from their investments over their total lifespan.

Part of Curtiss-Wright, Ultra Energy has worked with nuclear and industrial customers for over 60 years. We support customers across the world from facilities located in the US and UK. Our solutions are embedded in strategic national infrastructure and our people are active partners in customer programs that are focused on delivering advanced future nuclear and industrial capabilities.

United States of America

707 Jeffrey Way
Round Rock
Texas 78665-2408
USA

Tel: +1 512-434-2800

United Kingdom

Innovation House
Lancaster Road
Ferndown Industrial Estate
Wimborne
Dorset BH21 7SQ
UK

Tel: +44 (0) 1202 850 450

For more information

Web: ultra.energy

Email: sales@ultra.energy