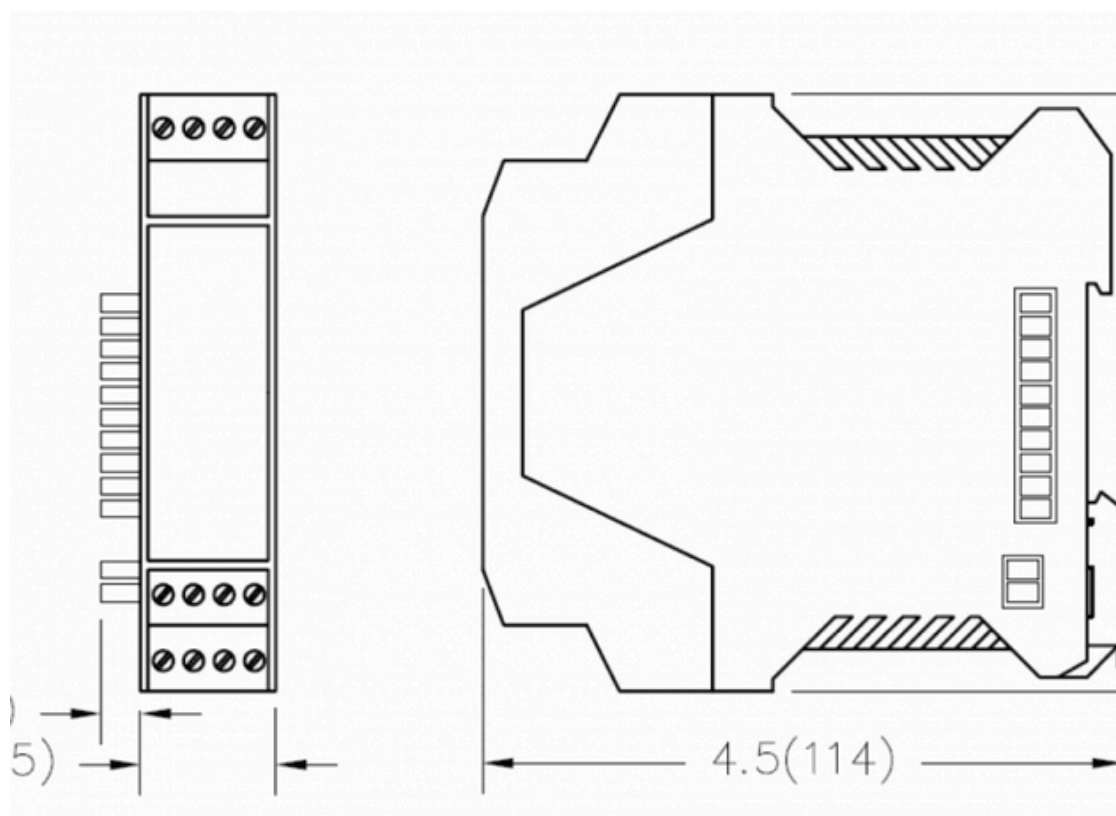


2C30 industrial ring switch



Feature	Description
Description	SHR for PLC Networks, except ControlNet and Profibus
Communication data rate	9.6K to 2M Baud
Hazardous location certification	FM Approved, Class I, Division 2, Groups A, B, C & D

Technical specification

Feature	Description
Status indicator (bi-color LED)	Green: Functional Optic Link, Red: Loss of Optical Link
Relay contact rating	175Vdc, 0.25A Switching, 1A Continuous
Relay connection	Pluggable Screw Terminal, 12 to 24 AWG (0.5-2.4mm), Cage Clamp
Ambient conditions	-40 to 85°C operational, 0-95% relative humidity, non-condensing
Weight	<9oz. (250g)
Compatible electrical modules	2C02, 2C10, 2C12, 2C14, 2C15, 2C29
Installations instructions	Shipped with product or available on request

About Ultra Energy

Organizations working with nuclear and industrial technologies must deliver reliable production at the same time as safeguarding people, the environment and infrastructure. We develop and manufacture measurement and control solutions that give our customers complete, long-term control over systems operating in harsh environments, helping them operate safely and increasing the value derived from their investments over their total lifespan.

Part of Ultra Group, a global electronics company, Ultra Energy has worked with nuclear and industrial customers for over 60 years. We support customers across the world from facilities located in the US and UK. Our solutions are embedded in strategic national infrastructure and our people are active partners in customer programs that are focused on delivering advanced future nuclear and industrial capabilities.

United States of America

707 Jeffrey Way
Round Rock
Texas 78665-2408
USA

Tel: +1 512-434-2800

United Kingdom

Innovation House
Lancaster Road
Ferndown Industrial Estate
Wimborne
Dorset BH21 7SQ
UK

Tel: +44 (0) 1202 850 450

For more information

Web: ultra.energy

Email: sales@ultra.energy